



Royal Industrial Suppliers

Quality Fasteners Specialist

No. 4, M.G.S. Complex, Benki Nawab Street, S.P. Road Cross, Bangalore 560002

An ISO 9001:2015 Certified Co



8310165941 / 9008782885



sales@royalfastenersindia.com

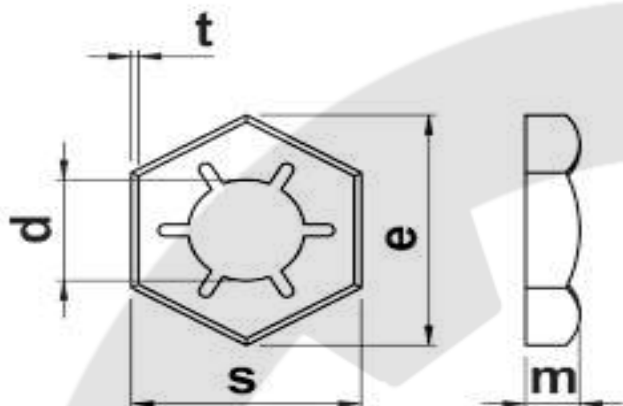


www.royalfastenersindia.com

SELF LOCKING COUNTER NUT DIN 7967 (PAL NUT)

CATALOGUE NUMBER: **R4D15C**

ISI 304 - A2



Send your Orders / Enquiries along with the following Item Codes

All Dimensions are in MM

Nominal Size d Thread Size ↓	PART NO.	Width Across Flat		Inside Dia	Nut Height	Across Corners	Thickness
		s Max	s Min	d	m	e	t
M4x0.7	R4D15C04000	7.0	6.64	3.50	2.50	8.10	0.30
M5x0.8	R4D15C05000	8.0	7.64	4.50	2.50	9.20	0.40
M6x1.0	R4D15C06000	10.0	8.64	5.30	3.00	11.50	0.40
M8x1.0	R4D15C08000	13.0	12.57	6.90	3.50	15.00	0.50
M10x1.5	R4D15C10000	15.0	16.57	8.60	4.00	19.60	0.50
M12x1.75	R4D15C12000	19.0	18.48	10.40	4.50	21.90	0.60
M14x2.0	R4D15C14000	22.0	21.16	12.00	5.00	25.40	0.60
M16x2.0	R4D15C16000	24.0	23.16	14.10	5.00	27.70	0.70
M18x2.5	R4D15C18000	27.0	26.16	15.50	5.50	31.20	0.70
M20x2.5	R4D15C20000	30.0	29.16	17.60	6.00	34.60	0.80
M22x2.5	R4D15C22000	32.0	33.00	19.60	6.00	36.90	0.80
M24x3.0	R4D15C24000	36.0	35.00	21.00	7.00	41.60	0.90

Sizes in BLUE are non-preferred. Availability is limited and MOQ is higher.

Data is strictly informative.

Note: All Austenitic Stainless Steel Fasteners may exhibit some Magnetic Properties due to the Manufacturing Process.

Refer: ISO 3506-2 Annex F